

LIFTMOORE L-21W CRANE

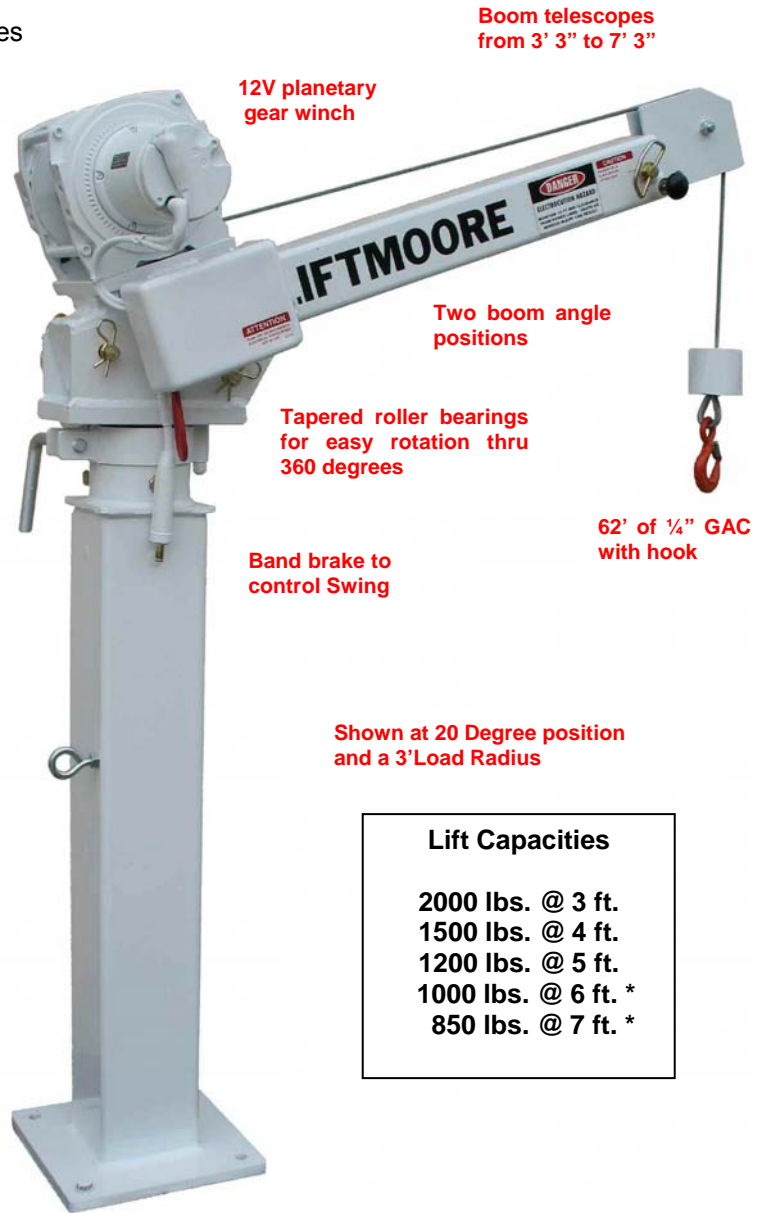
6,000 FT.-LB. MOMENT RATING
2,000 LB. MAXIMUM CAPACITY

- Designed with the Water & Sewer Maintenance Departments in Mind.
- 62' of winch cable raises and lowers pumps out of manholes with ease.
- Boom Folds into a traveling position to take up minimum bed space.
- 2000 Lbs Capacity @ 3 ft. load radius: 850 Lbs @ 7 ft.
- Standard boom telescopes from 3' 3". to 7' 3". in two stages with an intermediate position in each stage.
- Versatility is built into this crane with it's two standard boom positions of 20 and 45 degrees.
- A hook height of 105" above mounting surface at 45 degrees and full extension.
- Rotates on tapered roller bearings for long life and easy movement.
- Full 360-degree rotation is standard.
- A manual brake band is used to control swing of the boom.
- A removable remote pendant controls the lifting function
- One man can safely handle heavy objects with this Crane.

A minimum 8,600 Lb. GVWR recommended.

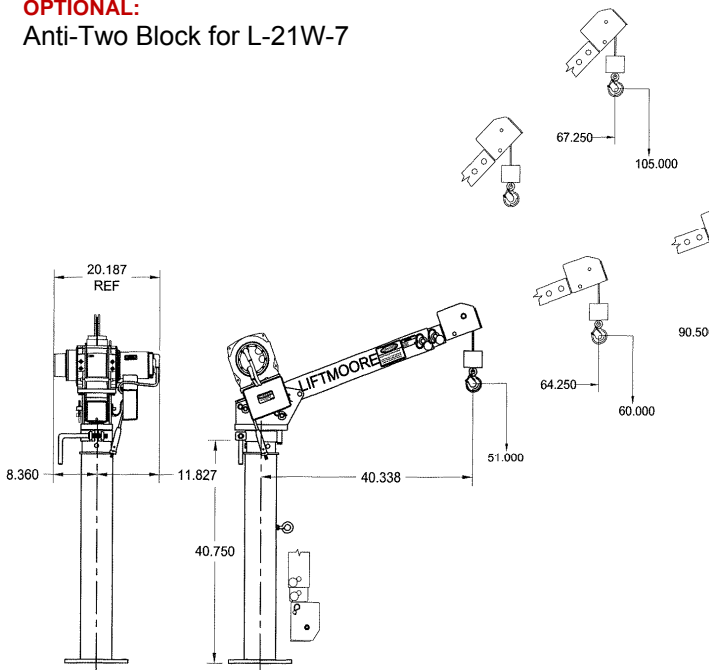
OPTIONAL:

Anti-Two Block for L-21W-7



Shown at 20 Degree position and a 3' Load Radius

Lift Capacities	
2000 lbs.	@ 3 ft.
1500 lbs.	@ 4 ft.
1200 lbs.	@ 5 ft. *
1000 lbs.	@ 6 ft. *
850 lbs.	@ 7 ft. *



Folded height of crane is 54"

Winch:

Planetary gear drive
With permanent magnet 2.7 HP Motor

Load (Pounds)	Performance	
	Hook Speed (Feet per Minute)	Electrical (Amperes)
1000	13.1	64
2000	11.9	115



HOUSTON, TEXAS
FAX: (800) 824-5559 (USA & Canada)
FAX: (713) 688-6324
PHONE: (713) 688-5533
www.liftmoore.com

Back Page is Left Blank



HOUSTON, TEXAS
FAX: (800) 824-5559 (USA & Canada)
FAX: (713) 688-6324
PHONE: (713) 688-5533
www.liftmoore.com