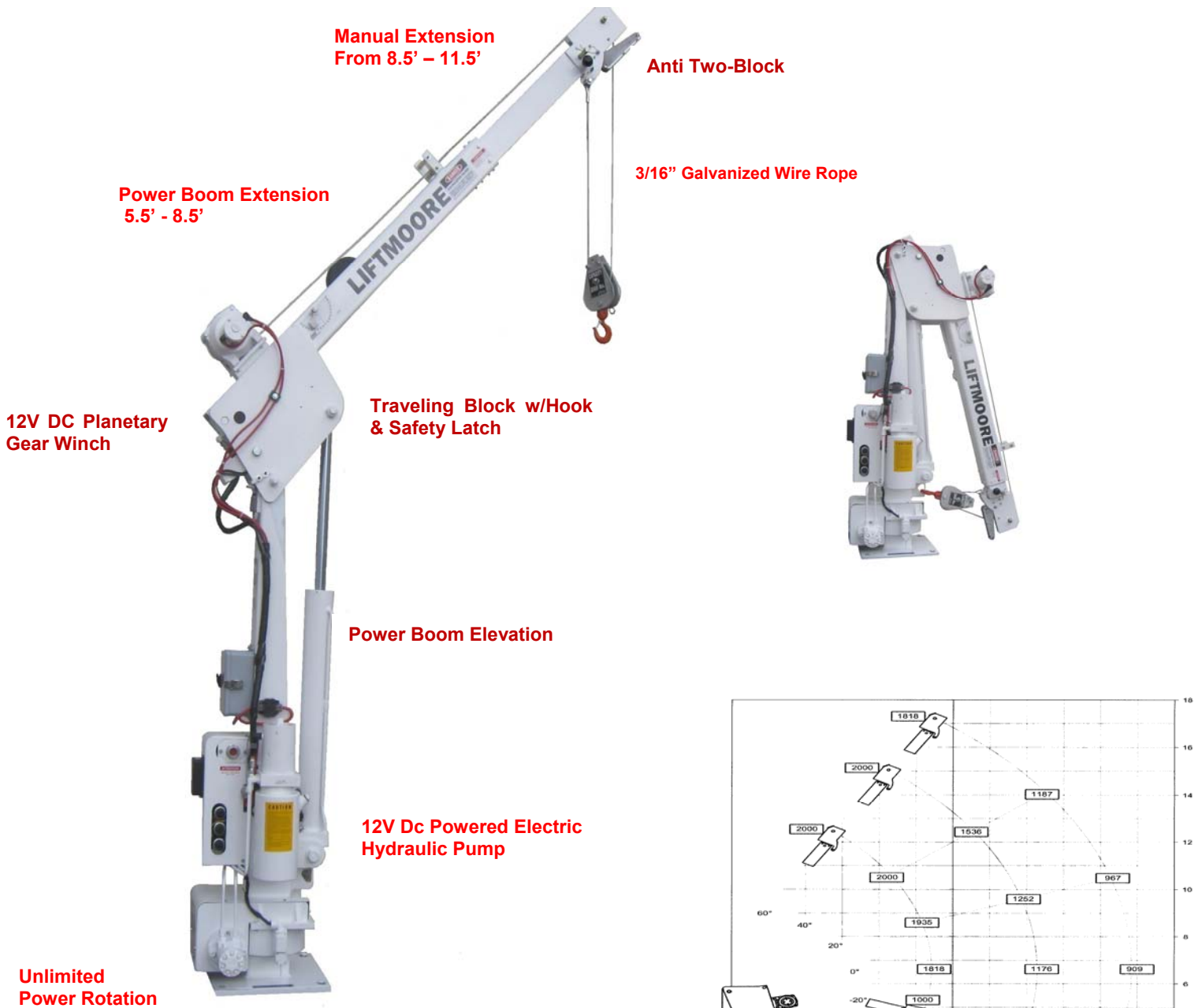


LIFTMOORE LA10K CRANE

10,000 FT.-LB. MOMENT RATING
2,000 LB. MAXIMUM CAPACITY

With its unique power folding boom this crane is ideal for those needing a 12V DC Powered compact unit that does not take up an excessive amount of deck space.

- Hydraulically elevated boom folds vertically and elevates to 70 Degrees.
- Power boom extension from 5.5 to 8.5 Ft. with a Manual pull out to 11.5 Ft.
- Unlimited rotation is delivered on a ball bearing slewing ring. A low speed high torque hydraulic motor driving a worm type gear set powers the rotation.
- Planetary Gear Drive Winch with permanent Magnet Electric Motor is standard.

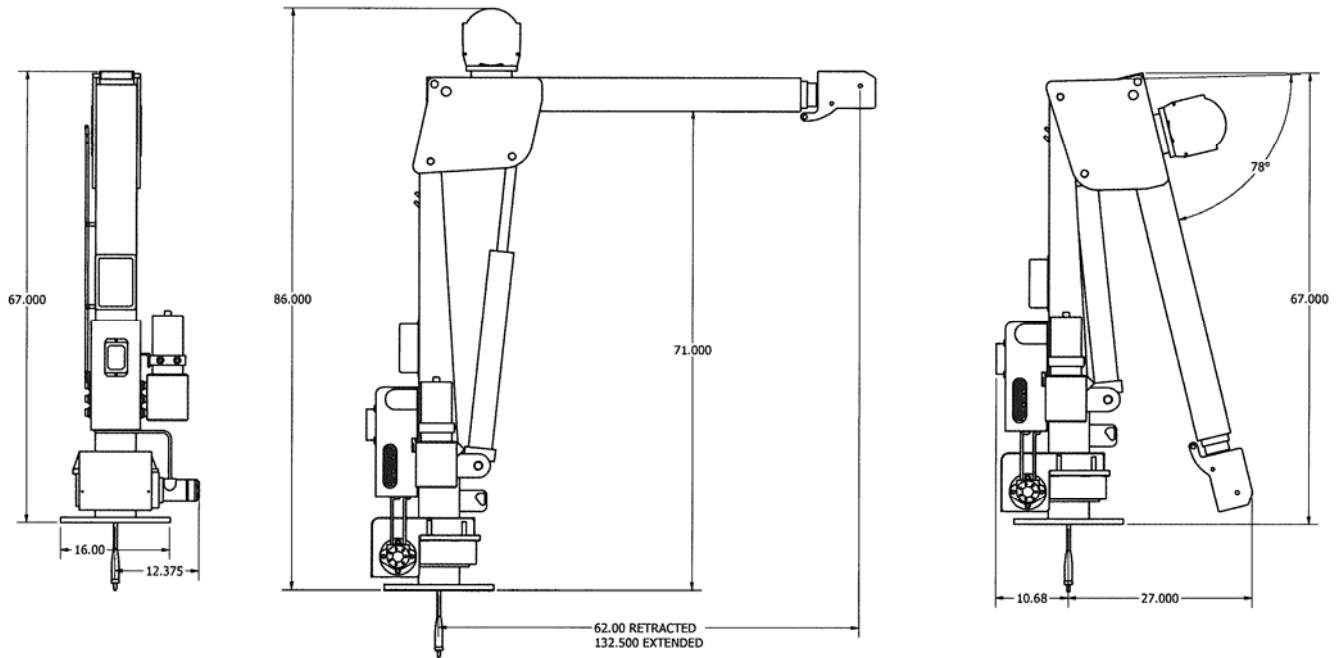


Unlimited
Power Rotation



HOUSTON, TEXAS
FAX: (800) 824-5559 (USA & Canada)
FAX: (713) 688-6324
PHONE: (713) 688-5533
www.liftmoore.com

LA10K SPECIFICATIONS



HOIST WINCH: The hoist winch uses a planetary gear drive for most efficient operation. The winch is powered by a permanent magnet electric motor. The single line capacity of the winch is 1200 Lbs. An integral mechanical brake is included with the winch.

Winch performance as follows.

Load (Lbs)	Hook Speed (Ft./Min.)	Amp Draw
0	25	22
600	21	63
900	19	84

WIRE ROPE and SHEAVES: The crane is supplied with 50 Ft. of 3/16 in. galvanized wire rope with a 4200 Lb. breaking strength. All sheaves meet ANSI requirements, a traveling block is supplied for two part wire line use.

ROTATION: Rotation is unlimited. The crane rotates on an external gear ball bearing slewing ring. A low speed high torque hydraulic motor drives the rotation through a 56:1 ratio self locking worm gear.

BOOM ELEVATION: The boom is capable of moving from a - 78 degrees down storage position to + 70 degrees above horizontal. It is elevated by a 3.50 In. bore double acting cylinder. The cylinder has an integral counterbalance valve. The Counterbalance valve has two vital purposes. This valve will hold the cylinder in the event of hose failure and it controls the rate of boom decent.

BOOM EXTENSION: The boom extends hydraulically from 5.5 Ft. to 8.5 Ft. with a 3 Ft. manual pull out to 11.5 ft. Powered by a 2.0 In. bore hydraulic cylinder which is mounted inside the boom for protection. The cylinder's integral counterbalance valve will hold the cylinder in the event of hose failure and controls the rate of cylinder retraction.

HYDRAULIC SYSTEM: A 12 Volt electric-hydraulic pump powers the elevation, extension and rotation functions. Four way open center control valves are used to control these functions. A gear type pump with 1.2 GPM capacity at 500 PSI is used. These valves are mounted on a manifold for easy access and have manual over-ride capabilities. The reservoir capacity is .75 gallon.

LOAD SENSOR: A load limiting sensor is installed on the elevation cylinder. When an overload is detected this sensor will shut down hoist up, boom out & boom down. The sensor will reset when load is reduced.

ANTI TWO-BLOCK: Prevents extending the boom against the travel block and breaking the cable.

PENDANT CONTROL: An 18 Ft. remote pendant control is supplied with each crane. The pendant is removable from the crane to prevent unauthorized use. Each function is controlled by a weather resistant momentary toggle switch.

Optional: Wireless controls are available.

BATTERY: It is advised that a group 31 deep cycle battery be installed under the crane to eliminate the line loss from the engine compartment. The crane is supplied with 25 Ft. of power cable with quick disconnects, an additional 3 Ft. Ground wire, 150 Amp circuit breaker for mounting near the battery and a master cutoff switch to be mounted near the crane.

MOUNTING: A minimum 10,000 Lb. GVWR recommended. Four 0.5 in. X 3.0" long Grade 8 Hex Head Cap Screws are supplied for mounting. The Bolt pattern is 12 in. square on a 15 In. square base plate.

ACCESSORIES: An outrigger or jackstand is necessary to keep the truck as level as possible as well as reducing the load on the crane's rotation mechanism and the trucks suspension components. Liftmoore can supply all of these options.



HOUSTON, TEXAS
 FAX: (800) 824-5559 (USA & Canada)
 FAX: (713) 688-6324
 PHONE: (713) 688-5533
 www.liftmoore.com